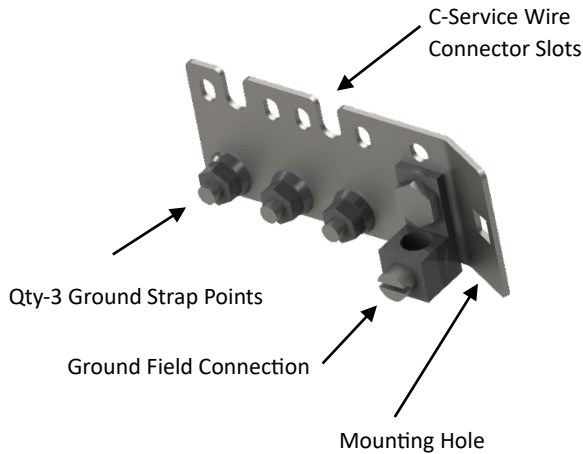


**PLO-UGB-300-L****UNIVERSAL GROUNDING BRACKET, PEDESTAL AND CPE****UNIVERSAL GROUNDING BRACKET**

Featuring a 45-degree installation plane, the UGB-300-L “Universal Grounding Bracket” provides an excellent grounding and bonding solution. The plate has an integrated ground field feed terminal that accommodates #14 - #2 AWG wire and three captivated studs with corresponding washer nuts for securing the ground wire terminals.

**INSTALLATION**

The following instructions are meant to act as guidelines only. Please observe all company safety and installation procedures when completing the installation.

**MOUNTING THE GROUND BRACKET**

Installation of the UGB-300-L is simple. Plugin recommends a 0.5-Inch Length, 7/16 hex nut, lock washer and bolt (not included) to mount the UGB-300-L to the desired surface. When mounted, the bar of the grounding bracket sticks out from the mounting surface at a 45-degree angle. While mounting the bracket be sure to orient the bracket in a way that you will be able to access the ground field connection and that the ground strap points will be accessible.

**ATTACH THE GROUND FIELD CONNECTION**

Once the bracket is installed in the desired location simply attach the ground field lead to the ground field terminal. Insert approximately 0.25-Inches of bare wire into the terminal and tighten down the screw with a flat head screwdriver. Now that the bracket is connected to the ground field you can test the connection by checking for continuity between the ground field lead, the bracket, and any other surfaces that are required to be connected to this ground circuit. Once verified or tested you are ready to attach the grounding straps as needed.

**INSTALLATION SUPPORT**

If you run into any issue or have any questions about this or any PlugIn Optics solution, please feel free reach out to us via phone or email and contact us any time or you can simply use the camera on your smartphone to scan the QR code below to get all the latest product specs, review applications or even submit a contact ticket for support.

**PlugIn Optics Customer Support**

Contact us by phone @ (561) 612-5703

Or via email: [cx@pluginoptics.com](mailto:cx@pluginoptics.com)



Install Support

---

**SPECIFICATIONS**

TECHNICAL SPECIFICATIONS		
DESCRIPTION	UNITS	SPECIFICATION
MATERIAL (BRACKET)	--	14 GA STAINLESS STEEL
MATERIAL (GRD LUG)	--	TIN PLATED ALUMINUM
DIMENSIONS	in	4 x 1.5 x 0.75
DIMENSIONS	mm	101.6 x 38.1.1 x 19.05
OPERATING TEMPERATURE	°C	-40 ~ +85
STORAGE TEMPERATURE	°C	-40 ~ +85

**ORDERING INFORMATION**

The table below contains the ordering information for ordering complimentary pedestal hardware offered by Plugin Optics. If you have any questions, feel free to call the support number listed above or email us at [cx@pluginoptics.com](mailto:cx@pluginoptics.com) for more information.

ORDERING INFORMATION	
PART NUMBER	DESCRIPTION
PLO-UGB-300-L	Universal Grounding Bracket, Pedestal and CPE
NOTE: PLUGIN OPTICS OFFERS A FULL LINE OF HARDWARE AND CONNECTIVITY SOLUTIONS.	

