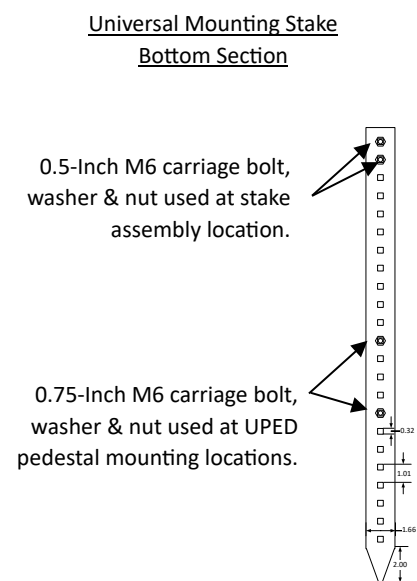
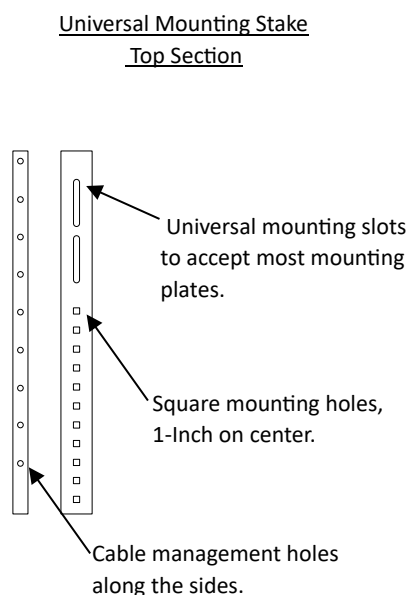


PLO-US-42

UNIVERSAL PEDESTAL STAKE, TWO PIECE, ADJUSTABLE LENGTH, 22-INCH TO 42-INCH

ADJUSTABLE MOUNTING STAKE

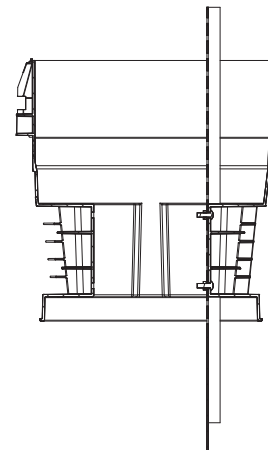
The 42" Universal Mounting Stake (U-STAKE-42) is a two-piece, adjustable stake that provides the flexibility for each project, and the rigidity needed to support incoming feeder cables, outgoing armored drop cables, the mounting plate and whatever the project calls for. The U-STAKE-42 features adjustable top-to-bottom assembly, slotted mounting holes for vertical adjustment of the mounting plate, and 0.25-Inch round holes along the sides of the top to provide the most versatile deployment possible.



INSTALLATION

The following instructions are meant to act as guidelines only. Please observe all company safety and installation procedures when completing the installation.

Note: The diagrams to the right show the Plugin Optics Universal Pedestal Stake attached to the UPED-1014 but the same methods can be followed on other industry pedestals.



ASSEMBLE THE MOUNTING STAKE

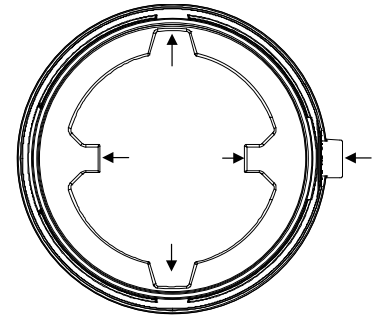
Assemble stake bottom to the stake top. Using the provided 0.5-Inch carriage bolts, washers, and nuts (Qty-2 of each) connect the bottom and top parts of the stake together. Note: By attaching the bottom 2 holes on the stake top to the two most upper holes on the stake bottom maximizes the overall height of the mounting surface. The overall installed height can be adjusted down by using the mounting holes lower down on the bottom part of the stake as needed.

ATTACH THE GROUNDING BRACKET

If your project requires a grounding bracket, attach it to the mounting stake at the desired location. This is typically installed just below where the two sections of the pedestal mounting stakes are joined. Using the 2nd or 3rd hole below that joint will place the bracket just below the top of the pedestal base. Ensure that the grounding bracket is oriented away from any cable/drop ingress/egress routes.

ATTACH THE STAKE TO THE PED

Using the carriage bolts, washers and nuts (Qty-2 of each) provided attach the stake to the pedestal. Any of the square holes along the stake bottom can be used to mount the stake to the pedestal. It is recommended that the stake be installed between 7-10 inches below the bottom of the pedestal to provide the most rigid and secure application. Once this is complete and the stake is at the desired depth take a moment to ensure that the pedestal top will fit onto the base correctly. If the stake is too tall the top of the stake can be lowered along the stake bottom to reach the required height for the pedestal being used.



PLACE AND BACKFILL

Place the pedestal and stake in the hole and backfill ensuring that the feeder cables/conduit are oriented towards the sides of the peds. This completes the installation of the stake. You can apply ground straps, install mounting plates, and splice trays as your project requires.

TECHNICAL SPECIFICATIONS		
DESCRIPTION	UNITS	SPECIFICATION
DIMENSION: FULL STAKE (MAX)	in (mm)	42 (1066.8) x 1.5 (38.1) x 0.75 (19.1)
DIMENSION: STAKE BOTTOM	in (mm)	25.25 (641.4) x 1.5 (38.1) x 0.75 (19.1)
DIMENSION: STAKE TOP	in (mm)	19 (482.6) x 1.5 (38.1) x 0.75 (19.1)
MATERIAL	--	14GA STAINLESS STEEL
OPERATING TEMPERATURE	°C	-40 ~ +85
STORAGE TEMPERATURE	°C	-40 ~ +85

ORDERING INFORMATION

The table below contains the ordering information for ordering complimentary pedestal hardware offered by Plugin Optics. If you have any questions, feel free to call the support number listed above or email us at cx@pluginoptics.com for more information.

ORDERING INFORMATION	
PART NUMBER	DESCRIPTION
PLO-US-42	UNIVERSAL PEDESTAL STAKE, TWO PIECE, ADJUSTABLE LENGTH, 22-INCH TO 42-INCH
NOTE: PLUGIN OPTICS OFFERS A FULL LINE OF HARDWARE AND CONNECTIVITY SOLUTIONS.	



INSTALLATION SUPPORT

If you run into any issue or have any questions about this or any PlugIn Optics solution, please feel free reach out to us via phone or email and contact us any time or you can simply use the camera on your smartphone to scan the QR code below to get all the latest product specs, review applications or even submit a contact ticket for support.

Plugin Optics Customer Support

Contact us by phone @ (561) 612-5703

Or via email: cx@plugnoptics.com



Install Support

