

PLO-TLP-WIN-PED-0**10" UNIVERSAL FIBER OPTIC PEDESTAL KIT****TABLE OF CONTENTS**

| | |
|--|-----------|
| INTRODUCTION | 1 |
| PEDESTAL KIT DESCRIPTION | 1 |
| 10" UNIVERSAL DISTRIBUTION PEDESTAL | 2 |
| ADJUSTABLE MOUNTING STAKE | 3 |
| UNIVERSAL GROUNDING BRACKET | 4 |
| UNIVERSAL MOUNTING PLATE | 5 |
| SINGLE MODE FIBER PIGTAILS | 7 |
| INSTALLATION | 8 |
| PREPARE THE SITE | 8 |
| ASSEMBLE THE MOUNTING STAKE | 8 |
| ATTACH THE GROUNDING BRACKET | 8 |
| ATTACH THE MOUNTING STAKE | 8 |
| PLACE AND BACKFILL | 8 |
| ATTACHING THE MOUNTING PLATE | 8 |
| PREPARING THE FEEDER | 8 |
| SPLICE THE FIBER | 9 |
| DRESS CABLES AND SPLICE TRAY | 9 |
| CONNECT THE PIGTAILS | 9 |
| INSTALLATION SUPPORT | 10 |
| SAFETY NOTICES | 10 |
| ORDERING INFORMATION | 11 |

INTRODUCTION

The intent of this document is to provide general specifications and installation guidelines for the PlugIn Optics 10" Universal Fiber Optic Distribution Pedestal along with components of the kit. This document also offers contact information should you need support during the installation as well as ordering information for additional kit components and complimentary products deployed with this kit.

PEDESTAL KIT DESCRIPTION

The 10" Universal Fiber Optic Pedestal Kit (p/n PLO-TLP-WIN-PED-0) is a bespoke fiber optic distribution pedestal kit. This kit includes a 10" outdoor distribution pedestal enclosure, 42" mounting stake providing a stable mounting location for the Universal Mounting Plate (UMP-1552) and Universal Grounding Bracket (UGB-300L). Also included are the 12/24 fiber splice tray (U-TRAY-854) kit as well as two LC UPC fiber optic pig tails to splice in your feeder fibers.



10" UNIVERSAL DISTRIBUTION PEDESTAL

The 10" Universal Pedestal (U-PED-1014) consists of the base and the top. Both the base and top are stackable conserving significant space when being shipped, warehoused, and transported to the jobsite. This nonmetallic enclosure provides protective housing for above grade Outside Plant (OSP) fiber splices. When buried feeder fiber is stubbed for loop-through, stub-in, and customer drops splicing, the 10" Universal Distribution Pedestal provides protection against weather, dirt, flooding and insects.

The base provides protection and management of the feeder fiber cables, conduit and branch/drop cables as they enter and exit the pedestal. The base features dedicated areas for feeder cables, knockouts for drops and an extra wide, 14" opening towards its top. The base also features stake mounting locations, front and rear, to fit multiple orientations. The top provides a rigid protective structure that slides over the above ground splice environment. The top also features a self-locking latch for ease of installation and security and a domed top for shedding rain, snow, and ice.



10" Distribution Pedestal

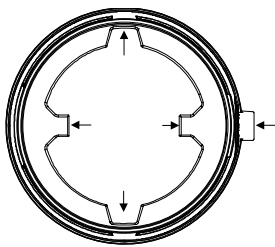


Figure 2: Pedestal Base, Top-Down View

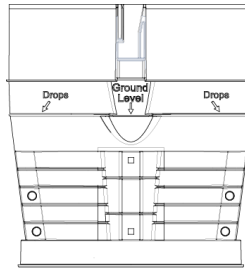


Figure 1: Pedestal Base, Front View

TECHNICAL SPECIFICATIONS

| DESCRIPTION | UNITS | SPECIFICATION |
|--------------------------|---------|----------------|
| TOTAL HEIGHT | in (mm) | 36.25 (920.75) |
| BASE HEIGHT | in (mm) | 14.25 (361.95) |
| TOP HEIGHT | in (mm) | 25.75 (654.05) |
| TOTAL HEIGHT (INSTALLED) | in (mm) | 28 (711.2) |
| WIDTH (MAX. DIA.) | in (mm) | 13.9 (353.06) |
| WITDTH (MIN. BASE) | in (mm) | 11.25 (285.75) |
| OPERATING TEMPERATURE | °C | -40 ~ +85 |
| STORAGE TEMPERATURE | °C | -40 ~ +85 |

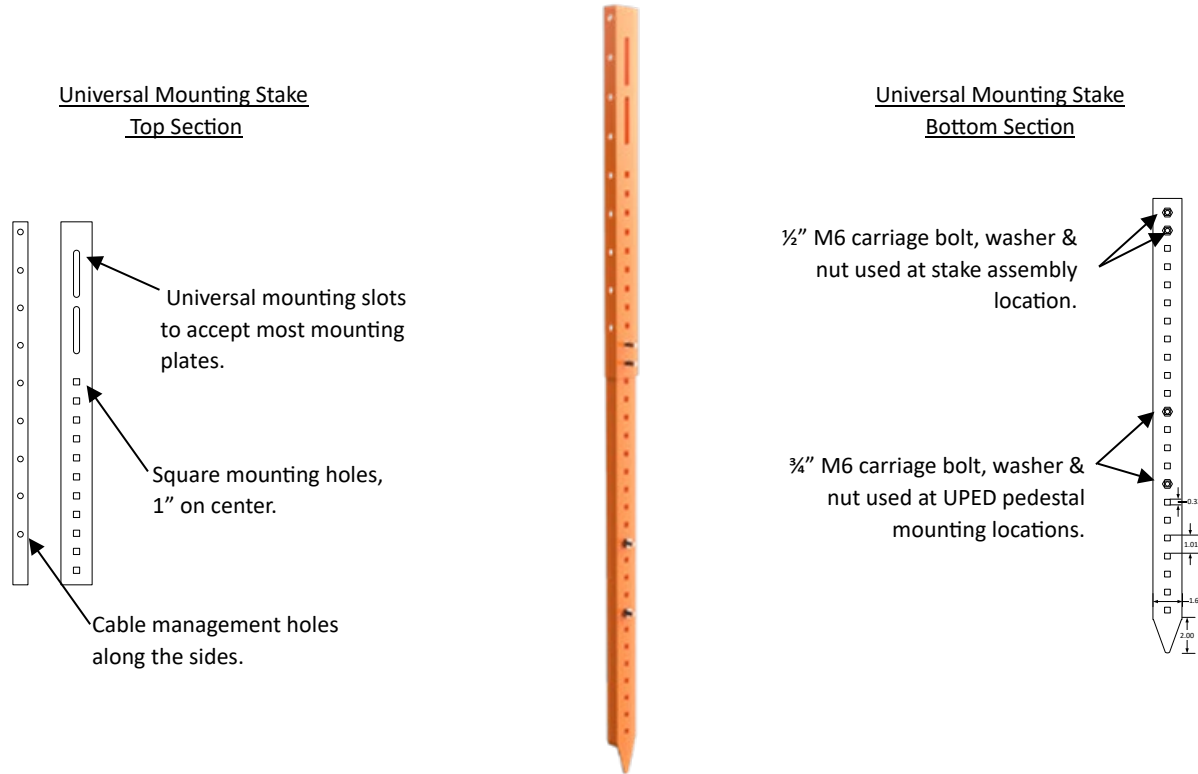
ORDERING INFORMATION

| PART NUMBER | DESCRIPTION |
|---|---|
| U-PED-1014 | 10" UNIVERSAL DISTRIBUTION PEDESTAL, BASE & TOP |
| NOTE: PLUGIN OPTICS OFFERS A FULL LINE OF COMPLIMENTARY HARDWARE TO DEPLOY WITH UNIVERSAL DISTRIBUTION PEDESTALS. | |



ADJUSTABLE MOUNTING STAKE

The 42" Universal Mounting Stake (U-STAKE-42) is a two-piece, adjustable stake that provides the flexibility for each project, and the rigidity needed to support incoming feeder cables, outgoing armored drop cables, the mounting plate and whatever the project calls for. The U-STAKE-42 features adjustable top-to-bottom assembly, slotted mounting holes for vertical adjustment of the mounting plate, and ¼" round holes along the sides of the top to provide the most versatile deployment possible.



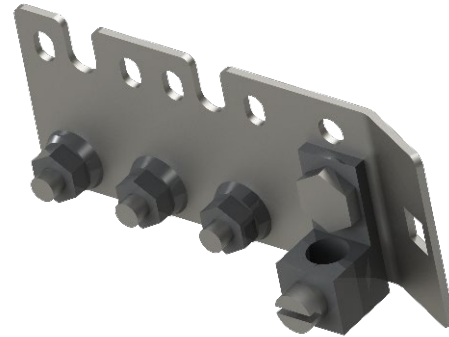
| TECHNICAL SPECIFICATIONS | | |
|-----------------------------|---------|---------------------------------------|
| DESCRIPTION | UNITS | SPECIFICATION |
| DIMENSION: FULL STAKE (MAX) | in (mm) | 42 (1066.8) x 1.5 (38.1) x ¾ (19.1) |
| DIMENSION: STAKE BOTTOM | in (mm) | 25.25 (641.4) x 1.5 (38.1) x ¾ (19.1) |
| DIMENSION: STAKE TOP | in (mm) | 19 (482.6) x 1.5 (38.1) X ¾ (19.1) |
| MATERIAL | -- | 14GA STAINLESS STEEL |
| OPERATING TEMPERATURE | °C | -40 ~ +85 |
| STORAGE TEMPERATURE | °C | -40 ~ +85 |

| ORDERING INFORMATION | |
|---|---|
| PART NUMBER | DESCRIPTION |
| PLO-US-42 | PEDESTAL STAKE, TWO PIECE, ADJUSTABLE LENGTH, 22-INCH TO 42-INCH, UNIVERSAL |
| NOTE: PLUGIN OPTICS OFFERS A FULL LINE OF COMPLIMENTARY HARDWARE TO DEPLOY WITH UNIVERSAL DISTRIBUTION PEDESTALS. | |



UNIVERSAL GROUNDING BRACKET

The UGB-300-L “Universal Grounding Bracket” provides an excellent grounding and bonding solution. The plate has an integrated Lug that accommodates #14 - #2 AWG and three posts with corresponding washer nuts for flexible ground wire and eyelet terminations.


TECHNICAL SPECIFICATIONS

| DESCRIPTION | UNITS | SPECIFICATION |
|-----------------------|-------|------------------------|
| MATERIAL (BRACKET) | -- | 14 GA STAINLESS STEEL |
| MATERIAL (GRD LUG) | -- | TIN PLATED ALUMINUM |
| DIMENSIONS | in | 4 X 1 ½ X ¾ |
| DIMENSIONS | mm | 101.6 X 38.1.1 X 19.05 |
| OPERATING TEMPERATURE | °C | -40 ~ +85 |
| STORAGE TEMPERATURE | °C | -40 ~ +85 |

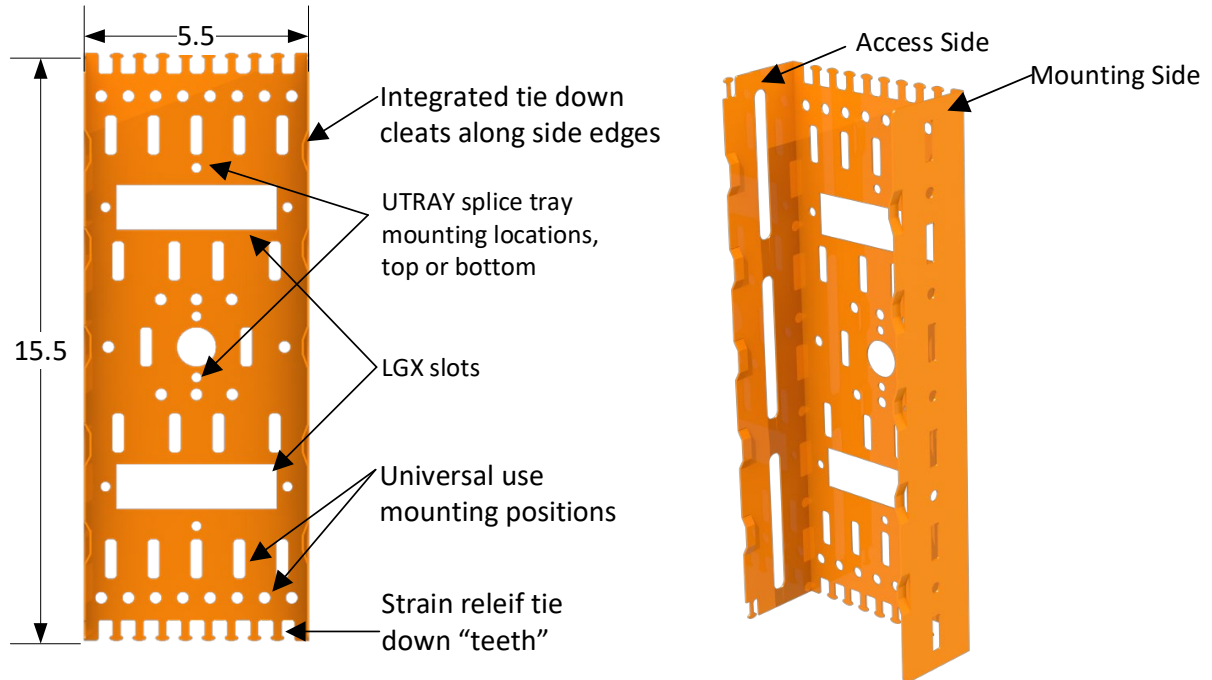
ORDERING INFORMATION

| PART NUMBER | DESCRIPTION |
|---|---|
| PLO-UGB-300-L | UNIVERSAL GROUNDING BRACKET, PEDESTAL AND CPE |
| NOTE: PLUGIN OPTICS OFFERS 8" and 10" DISTRIBUTION PEDESTALS, STAKES, AND SPLICE TRAYS TO COMPLIMENT THE UGB-300-L BRACKET. | |



UNIVERSAL MOUNTING PLATE

The Plugin Optics Universal Mounting Plate (UMP-1552) is a purpose-built mounting plate that was designed to go anywhere while providing a versatile and secure place to secure all your cables, drops, splice cases, splitter/tap modules, and LGX CWDM/DWDM modules. The integrated side cleats and strain relief T's allow technicians to easily tie down and route fiber cables to meet bend radius requirements.



TECHNICAL SPECIFICATIONS

| DESCRIPTION | UNITS | SPECIFICATION |
|-----------------------|-------|--------------------|
| MATERIAL | -- | 16 GA ALUMINUM |
| DIMENSIONS | IN | 15 X 5 ¾ X 2 ½ |
| DIMENSIONS | MM | 381 X 146.1 X 63.5 |
| OPERATING TEMPERATURE | °C | -40 ~ +85 |
| STORAGE TEMPERATURE | °C | -40 ~ +85 |

ORDERING INFORMATION

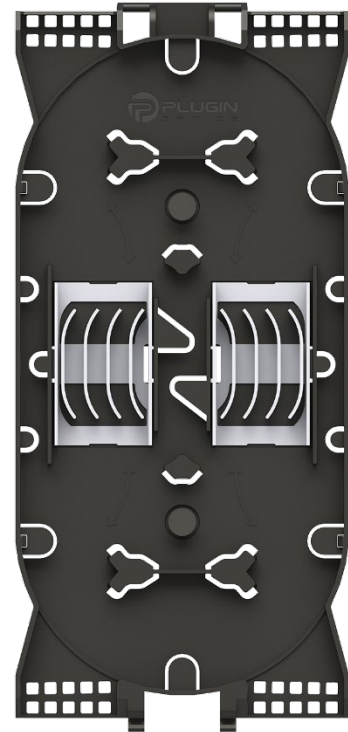
| PART NUMBER | DESCRIPTION |
|---|--|
| PLO-UMP-1552 | UNIVERSAL MOUNTING PLATE, PEDESTAL AND CPE |
| NOTE: PLUGIN OPTICS OFFERS 8" and 10" DISTRIBUTION PEDESTALS, STAKES, AND SPLICE TRAYS TO COMPLIMENT THE UMP-1552 MOUNTING PLATE. | |



UNIVERSAL SPLICE TRAY

The Plugin Optics universal fiber splice tray (U-TRAY-854) is the perfect companion to the UMP-1552 mounting plate as it can be secured with Nylatches and does not require a strap or mechanical tie-down. While compact in size these trays have ample room to route and secure fiber throughout. At .6" deep these trays can be easily stacked on top of one another to provide as much capacity as you need in a single mounting plate. The splice tray kit comes with factory installed Nylatch fasteners and a clear cover.

Also included in the kit are 6 fuse holders, 6 cables ties and a 9" length of felt tape for a complete fiber splicing solution.



TECHNICAL SPECIFICATIONS

| DESCRIPTION | UNITS | SPECIFICATION |
|-----------------------|-------|----------------------|
| MATERIAL | -- | ABS PLASTIC |
| DIMENSIONS | IN | 8.4 X 4 X .8 |
| DIMENSIONS | MM | 215.9 X 101.6 X 20.3 |
| OPERATING TEMPERATURE | °C | -40 ~ +85 |
| STORAGE TEMPERATURE | °C | -40 ~ +85 |

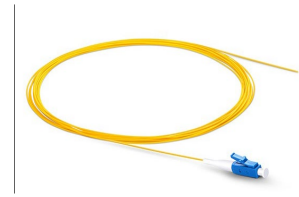
ORDERING INFORMATION

| PART NUMBER | DESCRIPTION |
|--|--|
| PLO-UTRAY-854 | UNIVERSAL FIBER SPLICE TRAY KIT, 8.5" X 4" |
| NOTE: PLUGIN OPTICS OFFERS 8" AND 10" DISTRIBUTION PEDESTALS, STAKES, MOUNTING PANEL AND GROUND BRACKET SOLUTIONS TO MEET YOUR OSP AND FIBER NETWORKING NEEDS. | |



SINGLE MODE FIBER PIGTAILS

PlugIn Optics offers a wide array of fiber jumpers, pigtails, and cables to complement our fiber networking solutions. In this kit there are two, 900-micron, single mode fiber pigtails that are 3 feet long, and pre-terminated on one end with LC UPC connectors. Ideal for splicing into the feeder fibers for connection to CWDM or DWDM modules.



LC UPC Pigtail

ORDERING INFORMATION

| PART NUMBER | DESCRIPTION |
|--|---|
| PLO-PT-OS2-3F-LCU-PVC | 3 FOOT, LC-UPC SHORT BOOT, SIMPLEX, OS2 S-MODE, PVC, 0.9MM, PIGTAIL |
| NOTE: PLUGIN OPTICS OFFERS A FULL LINE OF COMPLIMENTARY CABLE & JUMPER ASSEMBLIES. CONTACT US TODAY. | |



INSTALLATION

The following instructions are meant to act as guidelines only. Where applicable it is recommended that all company and local methods, procedures, and rules are followed.

PREPARE THE SITE

Prepare the trench/hole where the pedestal will be installed. The base will require a 16" diameter hole to allow for a minimum of 1"-2" of backfill around the perimeter of the pedestal. The pedestal base will be buried approx. 8.5" below grade with the pedestal mounting stake another 7" below that.

ASSEMBLE THE MOUNTING STAKE

Now that the site is ready assemble stake bottom to the stake top. Using the provided 1/2" carriage bolts (2), washers (2), and nuts (2) connect the bottom and top parts of the stake together. Note: by attaching the bottom 2 holes on the stake top to the two most upper holes on the stake bottom maximizes the overall height of the mounting surface. The overall installed height can be adjusted down by using the mounting holes lower down on the bottom part of the stake as needed.

ATTACH THE GROUNDING BRACKET

Attach the grounding bracket to the mounting stake at the desired location just below where the two sections of the pedestal mounting stakes are joined. Using the 3rd hole below that joint will place the bracket just below the top of the pedestal base. Ensure that the grounding bracket is oriented away from any cable/drop ingress/egress routes.

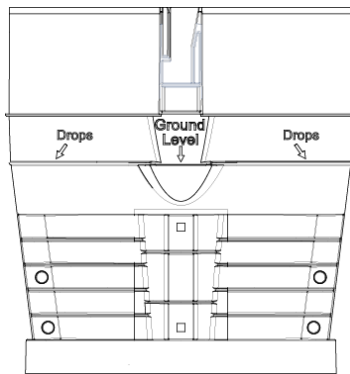
ATTACH THE STAKE TO THE PED

Using the 3/4" carriage bolts (2), washers (2) and nuts (2) provided attach the stake to the pedestal. You will notice that there are two possible stake mounting locations. One directly behind the latch for the lock on the front of the pedestal and one directly across from it on the rear of the pedestal base. This allows the orientation of the lock, stake and mounting plate can be adjusted for challenging installation locations. The figure above shows the stake mounted to the base, using the rear mounting location opposite the lock latch.

Insert the carriage bolts into the desired pedestal mounting location and align the stake so that the 8th hole from the bottom of the stake aligns with the bottom pedestal mounting hole. At full depth the stake will protrude approx 7" below the pedestal.

PLACE AND BACKFILL

Place the pedestal and stake in the hole and backfill ensuring that the feeder cables/conduit are oriented towards the sides of the peds. In the figure below you can see that, when facing the pedestal front, the feeder channels and drop cable knockouts are labeled and located on the left and right sides of the pedestal base.

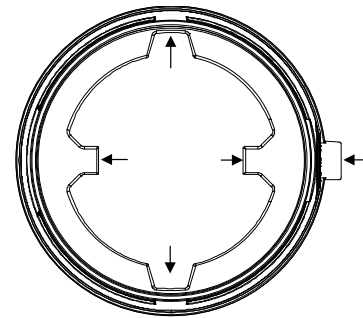
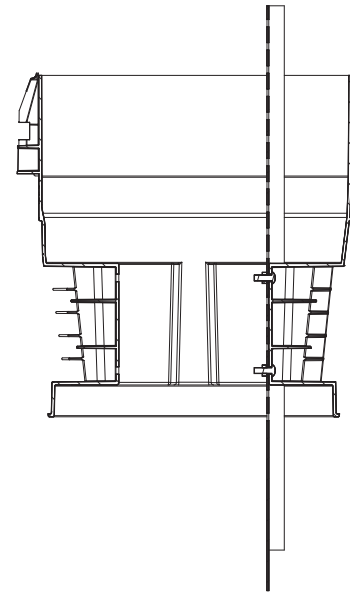


ATTACHING THE MOUNTING PLATE

Using the 1/2" carriage bolts, washers and nuts provided with the mounting plate, install the mounting plate to the stake. The height of the panel can be adjusted down as needed but is typically installed even with the top of the mounting stake.

PREPARING THE FEEDER

Connect ground strap(s) to the ground bracket per company SOP or engineering package. Dress in any conduit, or cable loops ensuring that they do not obstruct the space directly in front of or behind the mounting panel. Conduit should not be any higher than 3" below the top of the base and secured out of the way. Ring cut the fiber sheath, creating a mid-sheath of approx 6' - 8' per the company's SOP. Prepare the desired fiber ends for splicing.



SPLICE THE FIBER

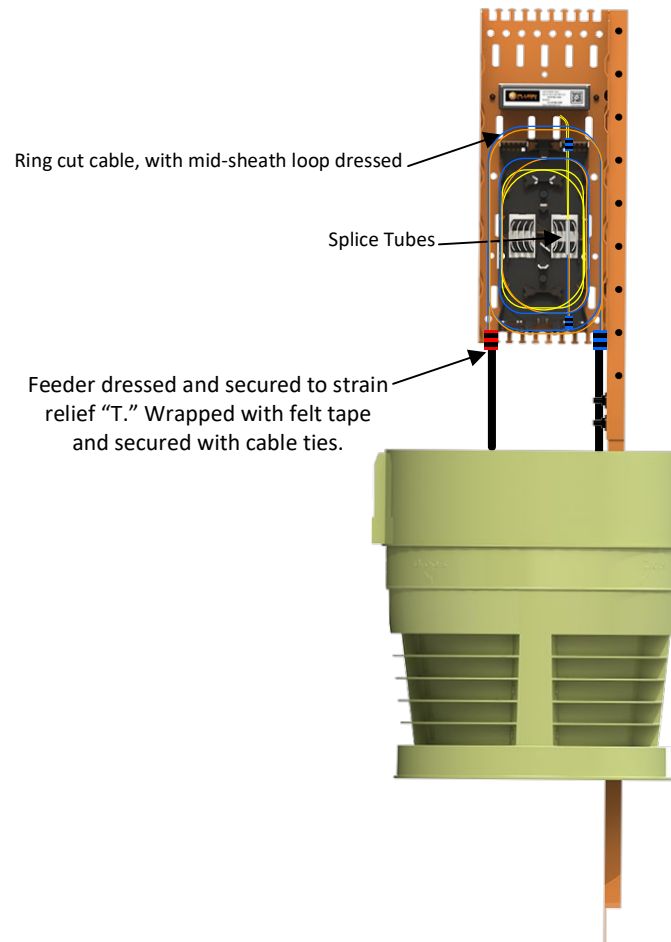
Following company SOP splice the assigned fibers to the fiber pigtails per the engineering specifications. Dress the spliced fibers and splice tubes into the tray. Use the provided felt tape and zip ties to secure the fibers where they enter or exit the tray. Once complete, record fiber assignment data on the label on the splice tray cover and insert cover into the tray.

DRESS CABLES AND SPLICE TRAY

Now that the splice is complete. Begin by securing the feeder fiber sheath ends to the outer most strain relief "T" on the bottom of the mounting plate. Now dress the mid-sheath buffer tube loops along the edge of the plate being sure not to block the area where the splice tray would go. Install the tray onto the panel using the nylatch pins. Be sure the nylatch plungers are pulled out before pressing it to the plate. Note: you may have to remove the cover to access the Nylatch plunger. Push the tray and nylatch grommets into the holes and while maintaining slight pressure, push in on the Nylatch plungers until you feel it click. This will ensure a strong mechanical connection to the plate. Finish dressing any fibers or cables ensuring that there are no sharp bends or fiber routing along sharp edges.

CONNECT THE PIGTAILS

Now that the fiber is spliced, and everything is dressed in its time to install the CWDM or DWDM LGX module. Slide the desired LGX module into the top LGX slot of the mounting plate. The figure to the right shows the newly spliced pigtails leaving the top edge of the splice tray routing through a slot in the mounting plate towards the rear where the LC connectors of the LGX are facing. Be careful that any fibers are protected, using transition/buffer tubing, or felt tape, wherever they cross a hard edge. The LC connectors can be plugged into the two common (TX and RX, COM) ports per the assignments found in your engineering package.



INSTALLATION SUPPORT

If you run into any issue or have any questions about this or any PlugIn Optics solution, please feel free reach out to us via phone or email and contact us any time or you can simply use the camera on your smartphone to scan the QR code below to get all the latest product specs, review applications or even submit a contact ticket for support.

PlugIn Optics Customer Support

Contact us by phone @ (561) 612-5703

Or via email: cx@pluginoptics.com



Install Support

SAFETY NOTICES

It is important to follow company and local safety guidelines when handling fiber optic cables. Never look into the end of a fiber jumper or cable in the presence of laser light. Exercise extreme caution when installing, testing or maintaining live circuits. If eyes are exposed to laser light or radiation occurs, immediately seek treatment by a medical professional as exposure is a substantial risk of serious damage to the eye and can result in total vision loss!

Fiber cables and fiber cleaning solvents may contain hazardous or harmful materials. Refer to the Material Safety Data Sheet (MSDS) when working with cleaning solvents or similar products. Also, Fiber optic glass fragments can be very sharp and can be harmful to skin and eyes so be sure to exercise extreme discipline when handling fibers, cables, and solvents. Use Company standard procedures to collect and dispose of glass shards and fragments.

When working around the job site, it is important to use all the safety equipment recommended by your company. Items like laser safe protective eyewear, work gloves, steel toe boots and tools in good working order can be the difference between finishing the job in good health, without injury, and with your eyesight.



ORDERING INFORMATION

The table below contains the ordering information for this kit and complimentary solutions often ordered with this kit. If you have any questions, feel free to call the support number listed above or email us at sales@pluginoptics.com for more information.

| KIT ORDERING INFORMATION | |
|----------------------------|---|
| PART NUMBER | DESCRIPTION |
| PLO-TLP-WIN-PED-0 | 10" UNIVERSAL FIBER OPTIC PEDESTAL KIT CONTAINING 10" PEDESTAL, 42" ADJUSTABLE STAKE, GROUND BRACKET, MOUNTING PLATE, SPLICE TRAY, AND (2) 3' LC/UPC FIBER PIGTAILS |
| | <u>THE ABOVE KIT CONTAINS:</u> |
| PLO-UPED-1014 | 10" UNIVERSAL DISTRIBUTION PEDESTAL, BASE & TOP |
| PLO-US-42 (Q1) | PEDESTAL STAKE, TWO PIECE, ADJUSTABLE LENGTH, 22-INCH TO 42-INCH, UNIVERSAL |
| PLO-UMP-1552 (Q1) | UNIVERSAL MOUNTING PLATE, PEDESTAL AND CPE |
| PLO-UTRAY-854 (Q1) | UNIVERSAL FIBER SPLICE TRAY KIT, 8.5" X 4" |
| PLO-UGB-300-L (Q1) | UNIVERSAL GROUNDING BRACKET, PEDESTAL AND CPE |
| PLO-PT-OS2-3F-LCU-PVC (Q2) | 3 FOOT, LC-UPC SHORT BOOT, SIMPLEX, OS2 S-MODE, PVC, 0.9MM, PIGTAIL |

| COMPLIMENTARY JUMPERS & CABLES | |
|--------------------------------|---|
| PART NUMBER | DESCRIPTION |
| | <u>ARMORED DROP CABLES</u> |
| PLO-AC-OS2-4-100-LC-00 | 4 CORE, OS2, ARMORED BRANCH CABLE, LC-UPC SHORT BOOT, 9-INCH BREAKOUT WITH 2MM COLOR CODED (BL, OR, GR, BR) FURCATION TUBING ON END A, STUB ON END B, 100 FEET LENGTH |
| PLO-AC-OS2-4-200-LC-00 | 4 CORE, OS2, ARMORED BRANCH CABLE, LC-UPC SHORT BOOT, 9-INCH BREAKOUT WITH 2MM COLOR CODED (BL, OR, GR, BR) FURCATION TUBING ON END A, STUB ON END B, 200 FEET LENGTH |
| | <u>LC UPC PIGTAIL</u> |
| PLO-PT-OS2-3F-LCU-PVC | 3 FOOT, LC-UPC SHORT BOOT, SIMPLEX, OS2 S-MODE, PVC, 0.9MM, PIGTAIL |
| PLO-PT-OS2-5F-LCU-PVC | 5 FOOT, LC-UPC SHORT BOOT, SIMPLEX, OS2 S-MODE, PVC, 0.9MM, PIGTAIL |
| PLO-PT-OS2-10F-LCU-PVC | 10 FOOT, LC-UPC SHORT BOOT, SIMPLEX, OS2 S-MODE, PVC, 0.9MM, PIGTAIL |
| | <u>SC APC PIGTAIL</u> |
| PLO-PT-OS2-3F-SCU-PVC | 3 FOOT, SC-APC SHORT BOOT, SIMPLEX, OS2 S-MODE, PVC, 0.9MM, PIGTAIL |
| PLO-PT-OS2-5F-SCU-PVC | 5 FOOT, SC-APC SHORT BOOT, SIMPLEX, OS2 S-MODE, PVC, 0.9MM, PIGTAIL |
| PLO-PT-OS2-10F-SCU-PVC | 10 FOOT, SC-APC SHORT BOOT, SIMPLEX, OS2 S-MODE, PVC, 0.9MM, PIGTAIL |
| | NOTE: PLUGIN OPTICS PROVIDES A FULL LINE OF COMPLIMENTARY JUMPERS AND CABLES. |

