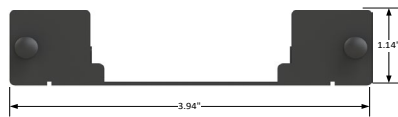
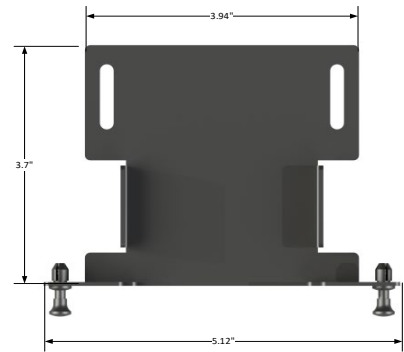


PLO-ULGX-UBM-01
UNIVERSAL UBM TO LGX SLOT BRACKET
LGX PEDESTAL BRACKET

The Plugin Optics UBM to LGX Slot Bracket is a purpose-built mounting bracket designed to facilitate the mounting of Universal Bulkhead Mount (UBM*, UBSM, USBM-T, & UBM-T) splitter and tap modules to be installed into LGX mounting slots. Use this module to install single wide UBM modules into a single LGX slot or double wide UBM modules into two LGX slots.


UBM to LGX Slot, Front View

UBM To LGX Slot Bracket, Top View
INSTALLATION

The following instructions are meant to act as guidelines only. Please observe all company safety and installation procedures when completing the installation.

UBM MODULE INSTALLATION

Plugin Optics UBM to LGX Bracket can be used to secure single and double width USBM, UBM-T & USBM-T modules. Slide the UBM module into the bracket between the side supports so that the face (where the connectors are located) of the UBM module sits against the UBM bracket faceplate. Secure the module to the bracket using a tie wrap or hook & loop strap. Route the tie wraps between the mounting bracket on the UBM and through the slots on the UBM bracket.


**UBM to LGX Bracket with USBM
1x4 Installed.**

**UBM to LGX Bracket with USBM
1x8 Installed.**
UBM to LGX BRACKET INSTALLATION

Once the UBM module is installed into the bracket simply install the bracket into an LGX slot. Pull the plunger of each Nylatch style fastener to allow the bracket to be slid into the LGX slot. Once the faceplate of the bracket is resting against the LGX slot in the mounting solution, press the plunger until you hear or feel the click.


**UBM to LGX Bracket with USBM Installed in
a Plugin Optics Universal Building Enclosure.**

SPECIFICATIONS

TECHNICAL SPECIFICATIONS		
DESCRIPTION	UNITS	SPECIFICATION
HEIGHT	in (mm)	1.14 (29)
WIDTH	in (mm)	5.12 (130)
DEPTH	in (mm)	3.7 (94)
MATERIAL	--	16 GAUGE STEEL
FINISH	--	POWDER COAT
COLOR	--	BLACK
OPERATING TEMPERATURE	°C	-40 ~ +85
STORAGE TEMPERATURE	°C	-40 ~ +85

ORDERING INFORMATION

The table below contains the ordering information for ordering complimentary pedestal hardware offered by Plugin Optics. If you have any questions, feel free to call the support number listed above or email us at cx@pluginoptics.com for more information.

ORDERING INFORMATION	
PART NUMBER	DESCRIPTION
PLO-ULGX-UBM-01	UNIVERSAL LGX BRACKET, 1 UBM MODULE IN LGX SLOT
NOTE: PLUGIN OPTICS OFFERS A FULL LINE OF HARDWARE TO DEPLOY WITH UNIVERSAL DISTRIBUTION PEDESTALS.	

INSTALLATION SUPPORT

If you encounter issues, please contact us via phone or email. Alternately, you can use the camera on your smartphone to scan the QR code below to review the latest product specs and applications or submit a contact ticket for support.

Plugin Optics Customer Support

Tel: +1 (561) 612-5703

Email: cx@pluginoptics.com



Install Support

